

# XELLAR-PUNCH PUNCHING MODULE

XELLAR	Unit	200	300	400
Strip thickness up to <sup>1</sup>	mm	1	1.5	3.5
Strip width up to <sup>1</sup>	mm	200	300	400
Craneable		yes	yes	yes

Features				
Number of punching racks, up to		6	6	6
Lighting (LED)		optional	optional	optional
Pneumatic punch drives		optional	optional	optional
Hydraulic punch drives		optional	optional	optional
Servo-hydraulic punch drives		optional	optional	optional
Servo-mechanical punch drives		optional	optional	optional
Weight (empty)	kg	approx. 1,800	approx. 2,700	approx. 3,200

<sup>1</sup> with Rm up to 300 N / mm<sup>2</sup>



## DIMENSIONS

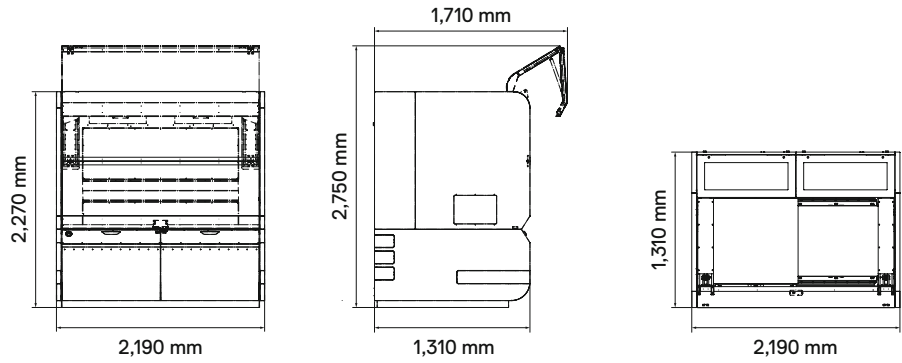
Model

Front view

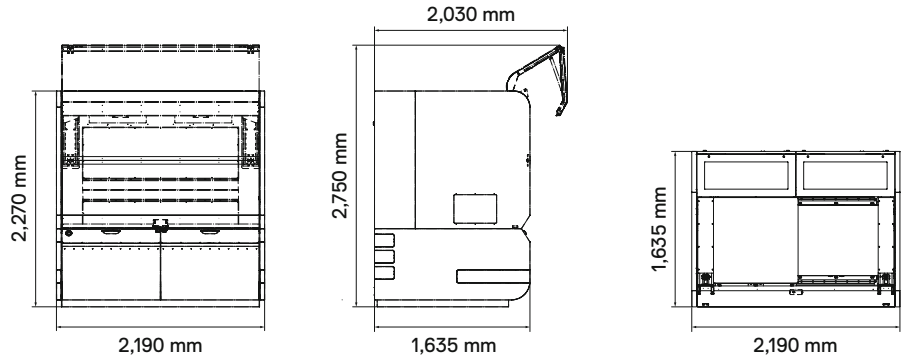
Side view

Top view

XELLAR-PUNCH 200



XELLAR-PUNCH 300



XELLAR-PUNCH 400

